

























































## S-Scan 25/50 Optical Measuring Machines for Turned Parts

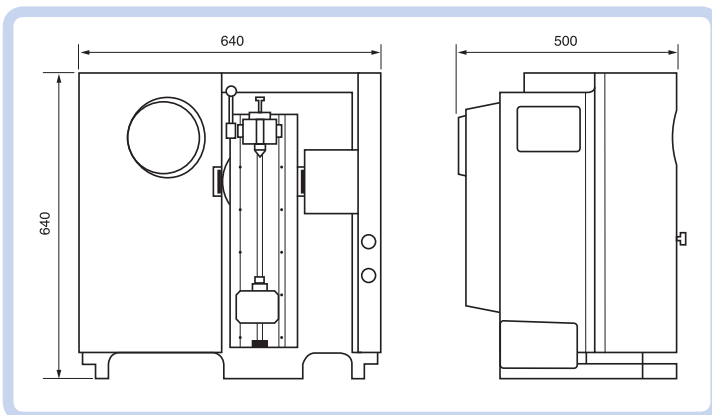
Entry level vertical S-SCAN machines for simple applications including a profile projection of the component on the left side of the machine. With the workpiece secured, the machine moves the workpiece through the optical path whilst scanning the profile.

The open design of these machines makes them easily and quickly accessible by the operator. Thanks to the integrated projector, the operator can always follow the evolution of the measurement process.

The S-Scan 25/50 represent Excellent value for money; the perfect solution for the measurement of all your small cylindrical parts.

### Delivery includes:

- Instrument according to technical specifications
- Part rotation
- 1 rotary headstock
- 2 male centers
- PC, mouse, screen, keyboard
- Windows multilingual operating system
- Software Pro-Measure
- Manual



### S-SCAN 25/50 OPTICAL MEASURING MACHINES

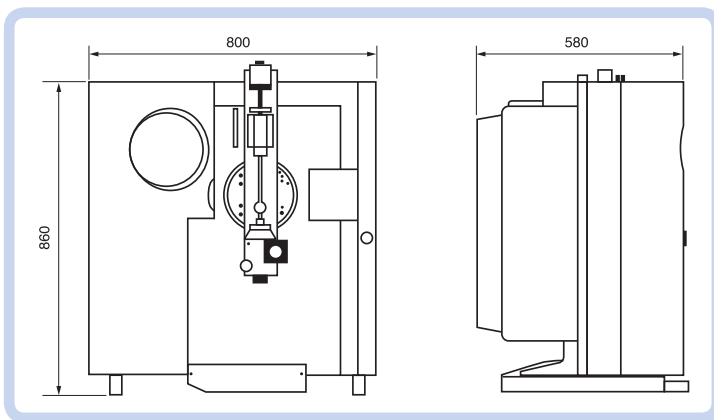
Code No	Description	Range	Resolution (mm)	Repeatability (µm)	Maximum Error (µm)
30-902-5250	S-Scan 25	Diameter: 0.25 - 25, Length: 200	Diameter: 0.0001, Length: 0.001	Diameter: 0.5, Length: 2.0	Diameter: (1 + D/100), Length: (4 + L/100)
30-902-5500	S-Scan 50	Diameter: 0.50 - 50, Length: 275	Diameter: 0.0001, Length: 0.001	Diameter: 0.5, Length: 2.0	Diameter: (1 + D/100), Length: (4 + L/100)

## S-Scan 50 CE Plus / 50 Plus Optical Measuring Machines for Turned Parts

A similar concept to the models S-Scan 25 and 50, these machines offer in addition a motorised axis used to incline the workpiece to the helix angle of the thread, thus allowing a true projected image of the thread form. This unique and exclusive Sylvac slewing system allows the operator to measure many more features on threads, such as minor diameter and root detail, on ball screws for example.

### Delivery includes:

- Instrument according to technical specifications
- Part rotation
- 1 rotary headstock and slewing mechanism for thread measurement
- 1 tail stock
- 2 male centers
- PC, mouse, screen, keyboard
- Windows multilingual operating system
- Software Pro-Measure
- Manual



### S-SCAN 50 CE PLUS OPTICAL MEASURING MACHINE

Code No	Description	Range	Resolution (mm)	Repeatability (µm)	Maximum Error (µm)
30-902-5501	S-Scan 50 CE Plus	Diameter: 0.50 - 50, Length: 275	Diameter: 0.0001, Length: 0.001	Diameter: 0.5, Length: 2.0	Diameter: (2 + D/100), Length: (5 + L/100)

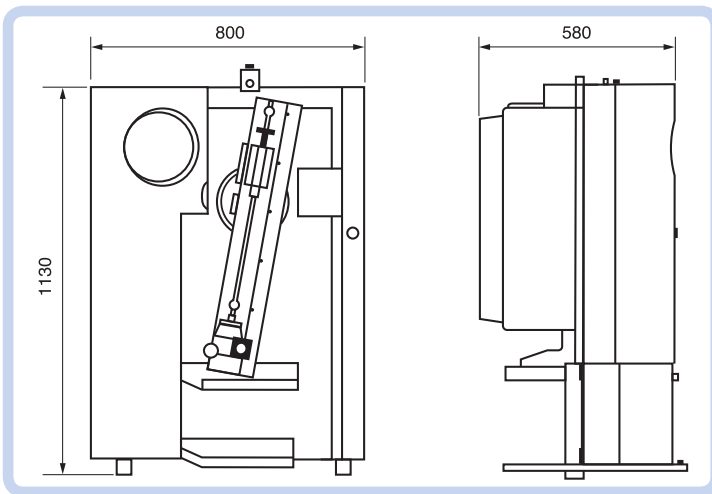
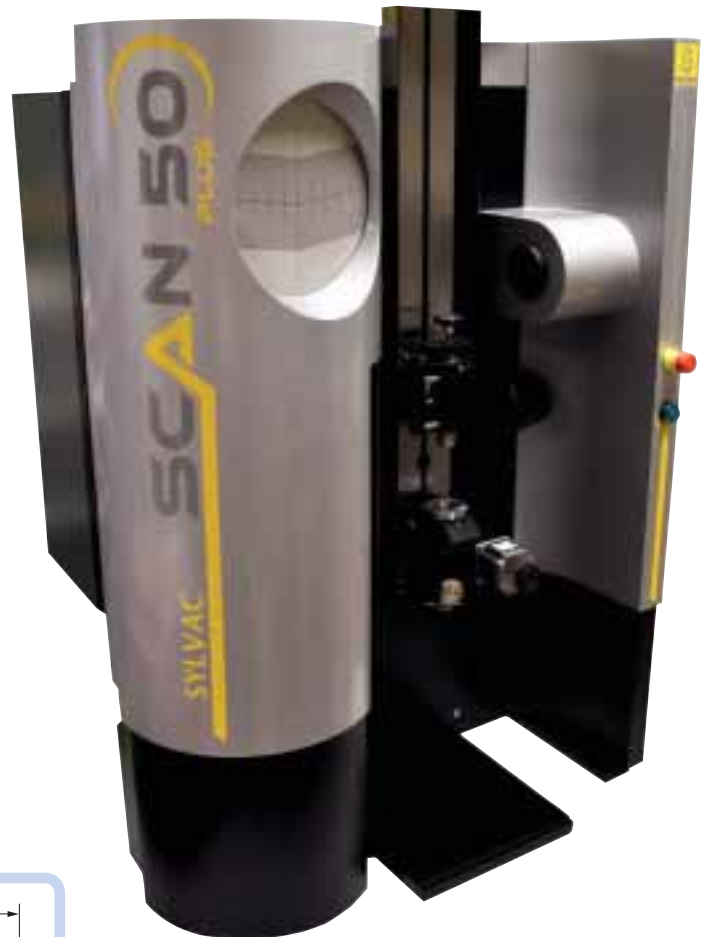


# S-Scan 50 CE Plus / 50 Plus Optical Measuring Machines for Turned Parts

A similar concept to the models S-Scan 25 and 50, these machines offer in addition a motorised axis used to incline the workpiece to the helix angle of the thread, thus allowing a true projected image of the thread form. This unique and exclusive Sylvac slewing system allows the operator to measure many more features on threads, such as minor diameter and root detail, on ball screws for example.

### Delivery includes:

- Instrument according to technical specifications
- Part rotation
- 1 rotary headstock and slewing mechanism for thread measurement
- 1 tail stock
- 2 male centers
- PC, mouse, screen, keyboard
- Windows multilingual operating system
- Software Pro-Measure
- Manual



### S-SCAN 50 PLUS OPTICAL MEASURING MACHINE

Code No	Description	Range	Resolution (mm)	Repeatability (µm)	Maximum Error (µm)
30-902-5502	S-Scan 50 Plus	Diameter: 0.50 - 50, Length: 500	Diameter: 0.0001, Length: 0.001	Diameter: 0.5, Length: 2.0	Diameter: (2 + D/100), Length: (5 + L/100)



**BOWERS GROUP**



**baty**



**Machine DRO**

EtcYVgGdVY, =dYYZHdc, =Zg [dgYh] gZ, : C&&%7O

**Tel:** %&. . ' ) \*\* . ' &

**Email:** sales@b Vx] cZ!Ygd.co.uk

**Website:** | | | #b Vx] cZ!Ygd#d#`

