

16dBi 2.4GHz Directional Panel Antenna...

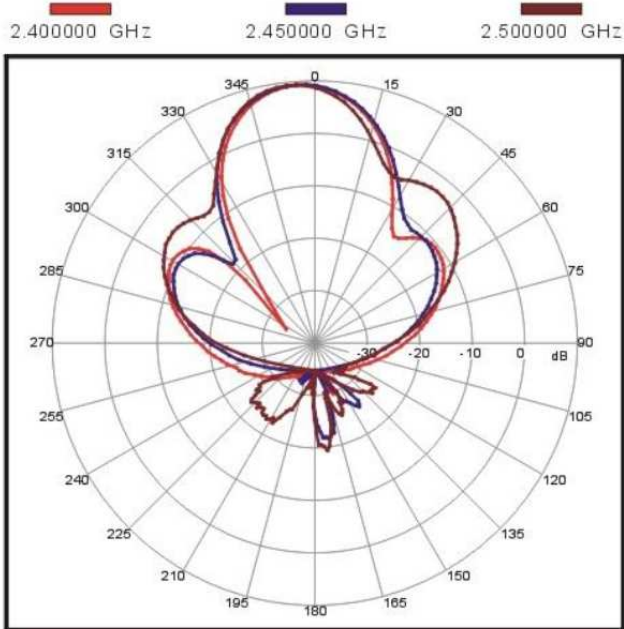


N Type Female

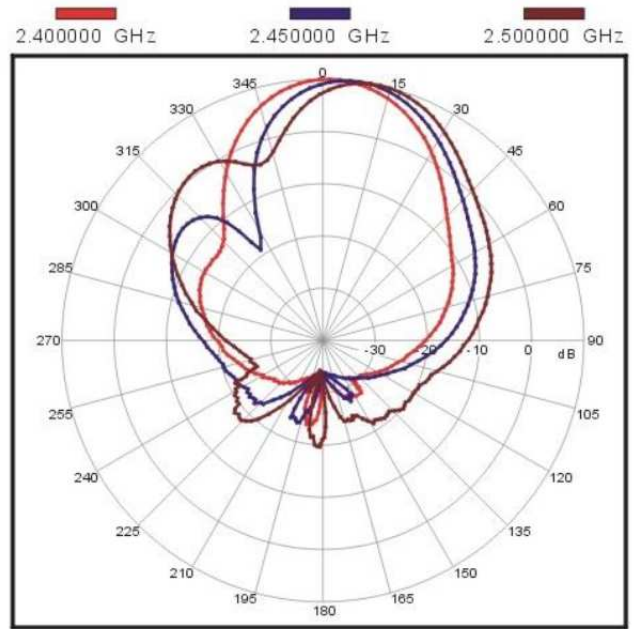


Pole Not Included

Radiation Pattern...



H-PLANE



E-PLANE

Suitable for 2.4GHz Systems including:



Wireless
CCTV

Always check connector type prior to ordering

Wifi-antennas.co.uk

Allendale Electronics Ltd. 43 Hoddesdon Industrial Centre, Pindar Road, Hoddesdon, Hertfordshire EN11 0FF

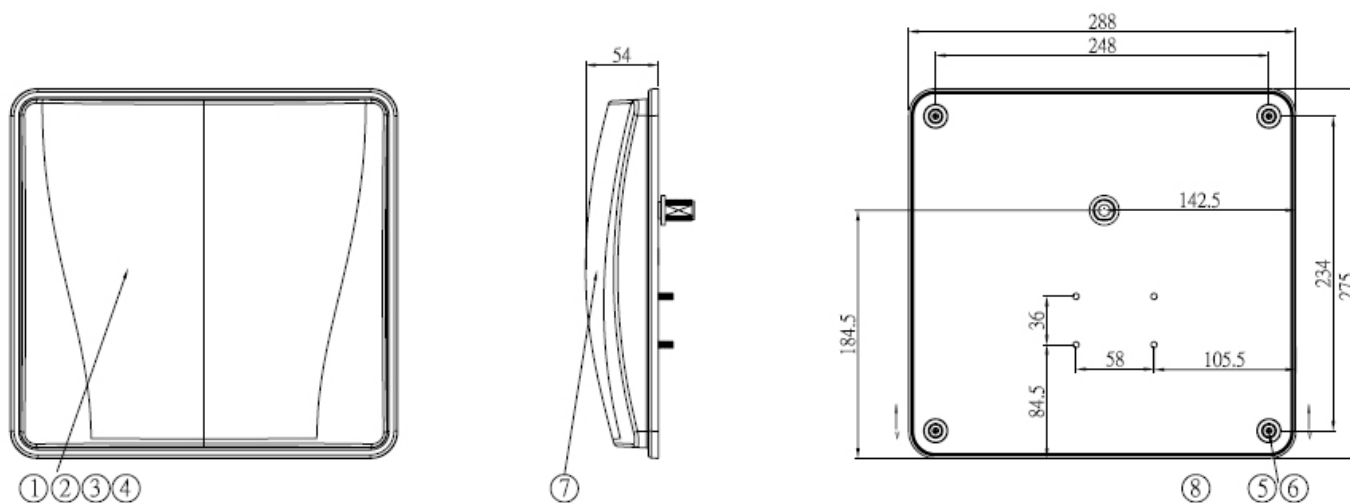
W: www.wifi-antennas.co.uk

T: +44 (0)1992 450780

E: sales@wifi-antennas.co.uk

F: +44 (0)1992 450781

Antenna Dimensions...



Technical Specification...	
Model no.	16-5DB-SMA
Frequency	2.4 - 2.5GHz
Gain	16 dBi
Gain Tolerance	+ / - 0.5dBi
VSWR	<= 1.8 :1
Impedance	50 Ω
Power Handling	50W
Horizontal	35°
Vertical	35°
Connector	N TYPE Female
Operation Temperature	-40°c ~ +80°c
Humidity	100% @ 25°c
Wind Load	180 Km/h
Lightning Protection	DC Ground
Radome Colour	Grey-White
Radome Colour	ABS, UV Resistant, Zinc Casting
Weight	1.2 Kg
Dimensions	Length 283mm Width 270 Depth 81mm
Mounting	Pole mount

Suitable for 2.4GHz Systems including:



Wireless
CCTV

Always check connector type prior to ordering

Wifi-antennas.co.uk

Allendale Electronics Ltd. 43 Hoddesdon Industrial Centre, Pindar Road, Hoddesdon, Hertfordshire EN11 0FF

W: www.wifi-antennas.co.uk

T: +44 (0)1992 450780

E: sales@wifi-antennas.co.uk

F: +44 (0)1992 450781