

INSTRUCTIONS

REMOTE ROUTER READOUT

MODEL WR525

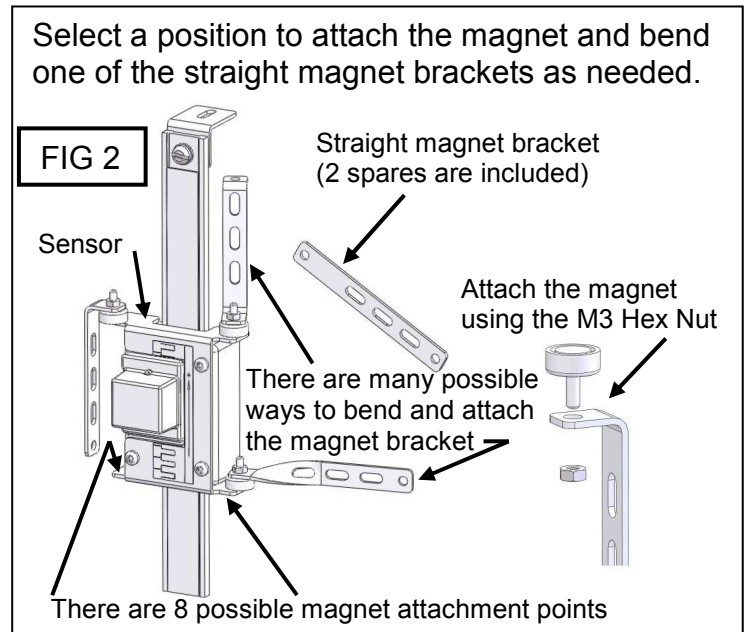
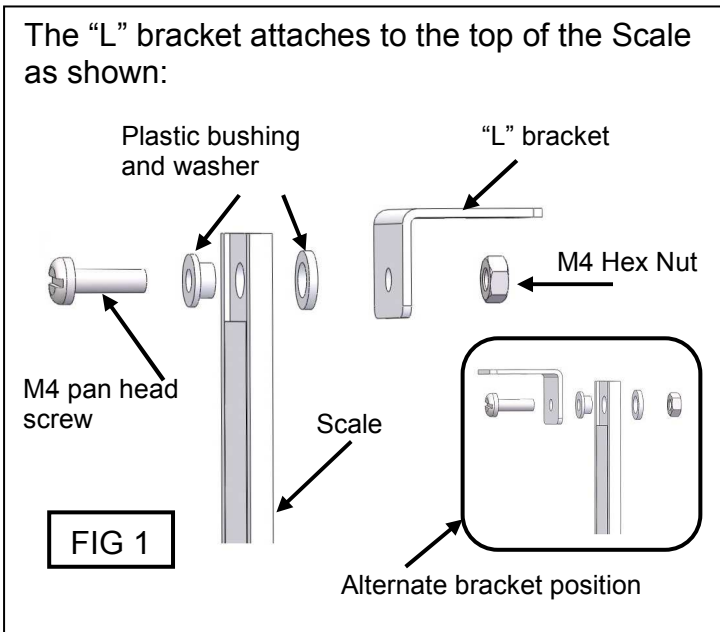
NOTE:

- Always turn off the power and unplug your machine before installing the WR525

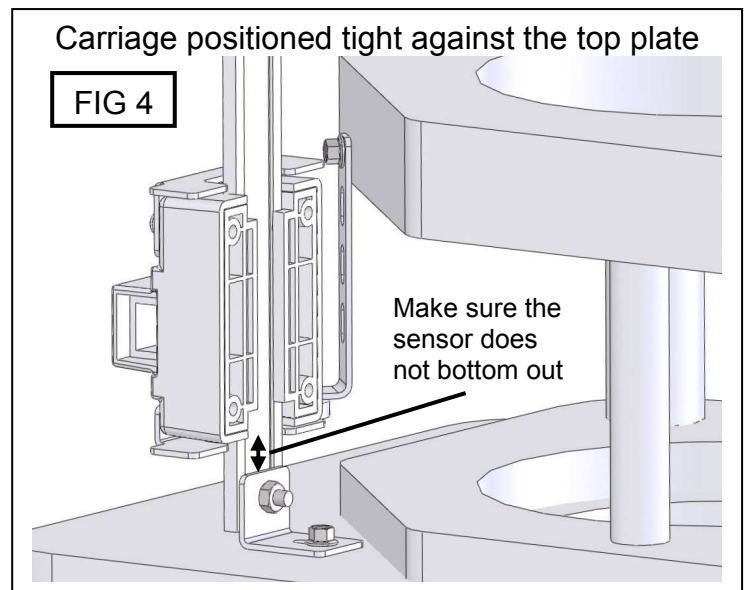
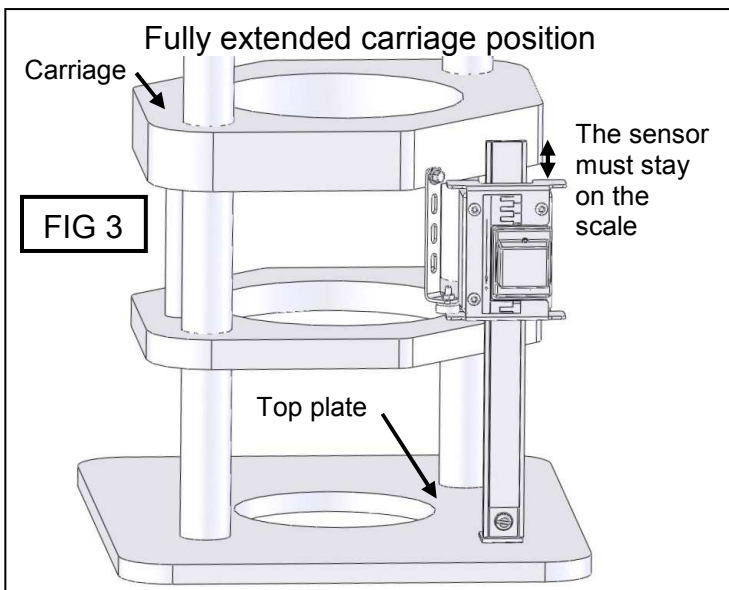
1- Select the best mounting location

The WR525 can be mounted to a variety of machines in a number of different ways. These instructions demonstrate the WR525 mounted to a router lift that is laying upside down on its top plate.

The “L” bracket and the magnet bracket can be attached the scale and sensor in many different ways (FIG 1-2). Determine the best way for your particular situation.



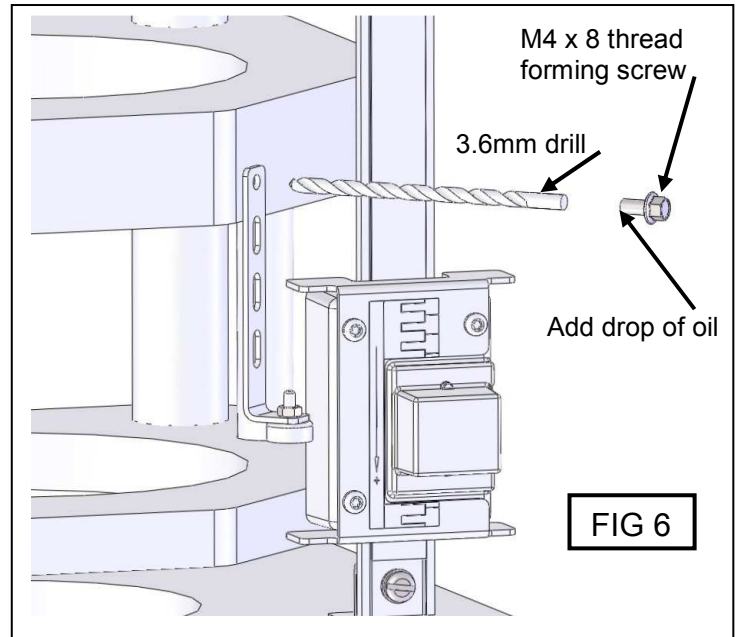
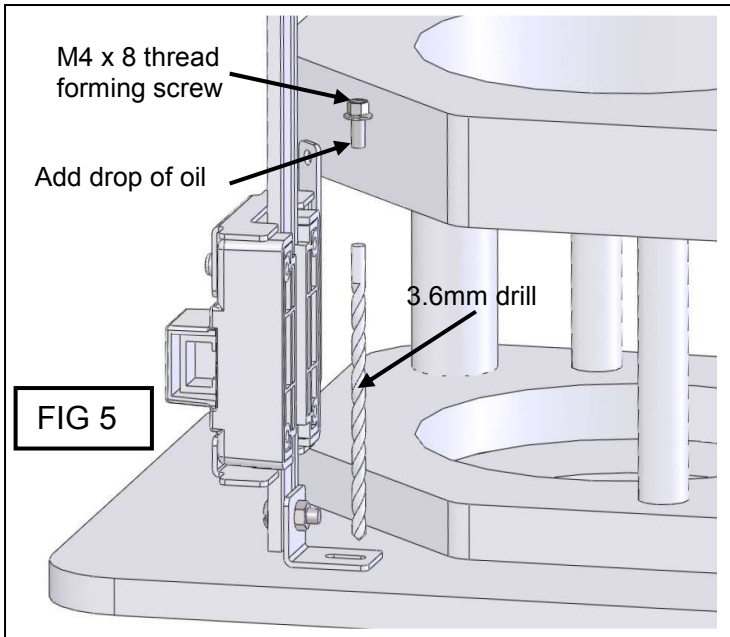
Before attaching the scale and sensor to your lift check the travel with the carriage both fully extended and tight against the top plate (FIG 3-4).



2- Permanently attached the scale and sensor to the lift

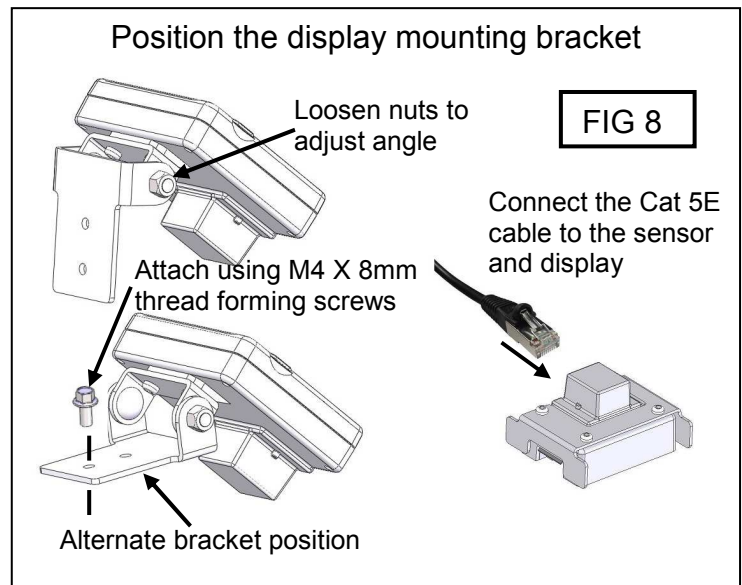
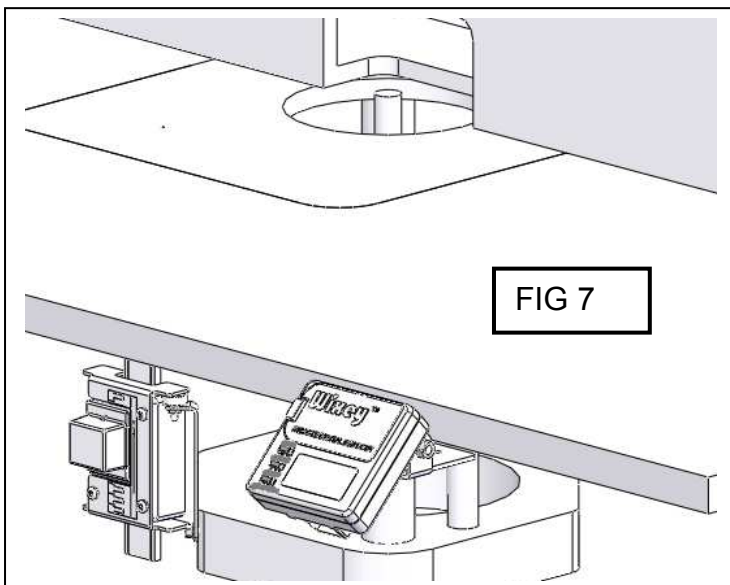
Center punch the screw locations and use the 3.6mm drill bit and the M4 x 8mm long thread forming screws to attach the scale to the top plate (FIG 5) and the magnet bracket to the carriage (FIG 6). Put a drop of oil on the end of the screws and use a nut driver to force the screws into the holes while turning slowly.

Using a square make sure the scale is perpendicular to the top plate. If needed you may have to carefully bend the "L" bracket to get perfect alignment. Fully tighten all screws to hold the system in position.

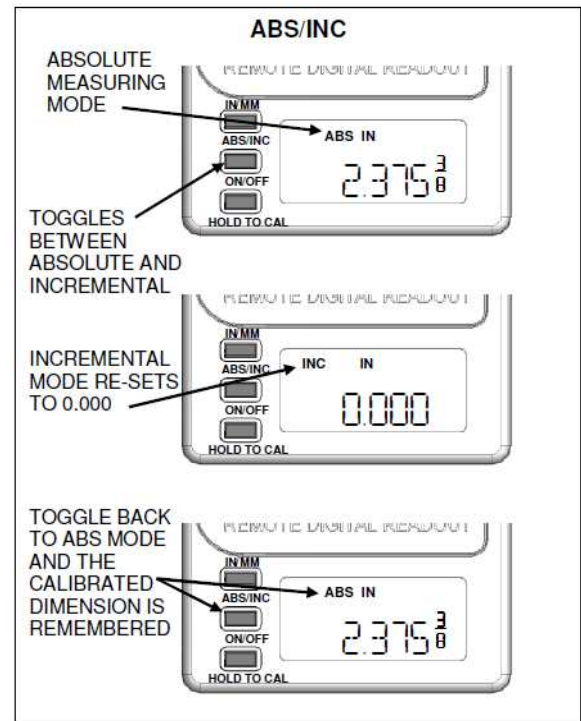
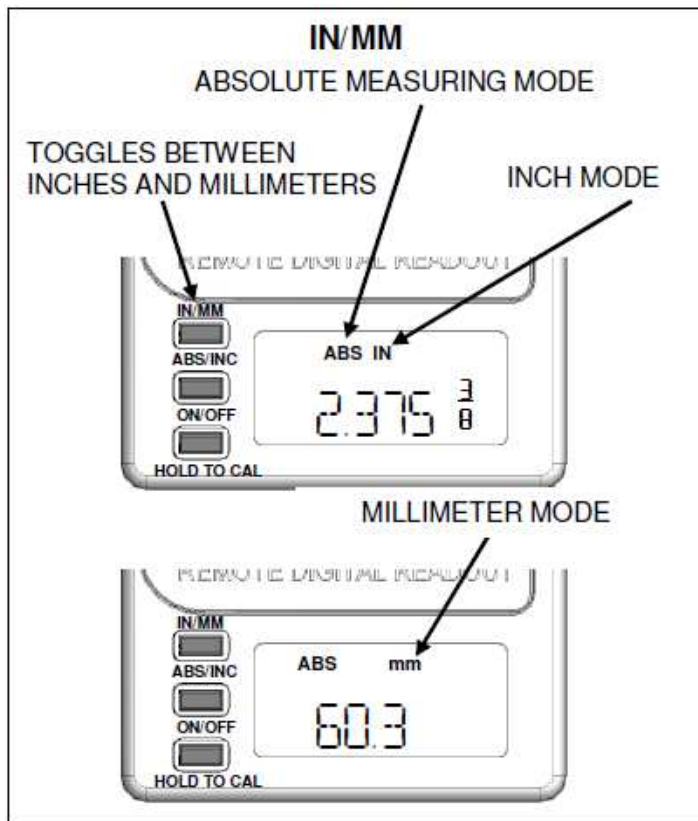
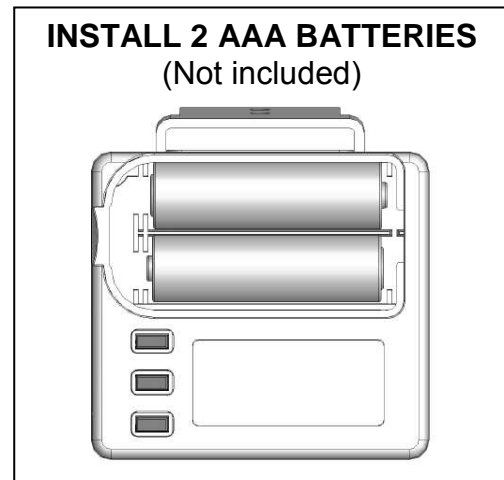
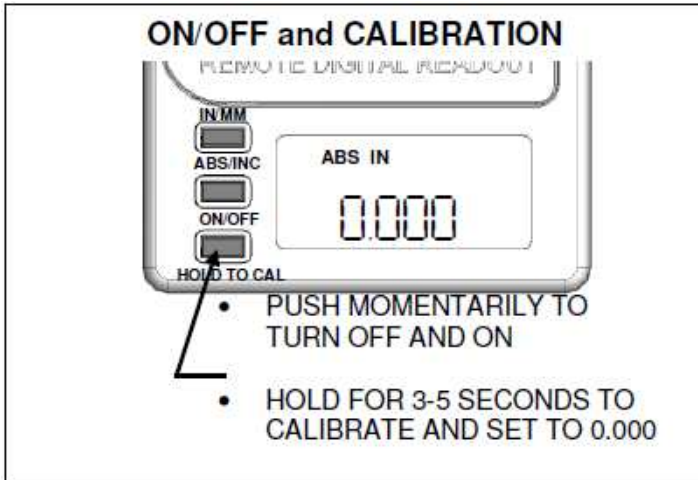


3- Mount the display and connect the Cat 5E cable

Find a suitable location to mount the display (FIG 7). You can use the 3.6mm drill bit and the M4 x 8mm long thread forming screws to attach display. Connect the Cat 5E cable to the sensor and display and route the cable using the cable clips.



6- Readout Operation



9-Trouble Shooting

Readout issues

The Digital Readout will not function properly or display numbers correctly unless the cable is connected to both the display and sensor. Do not install the batteries or turn it on until everything is properly connected.

NOTE: If you purchase a different length Cat 5E cable to use make sure that it is a shielded style noted by the metal encased plug.



Unstable constantly scrolling numbers

- Insure the sensor is properly installed on the scale.
- Remove the battery, wait 30 seconds and replace it.

Flashing digits, dim, or no display

- Install new batteries.
- Clean batteries and battery contacts.

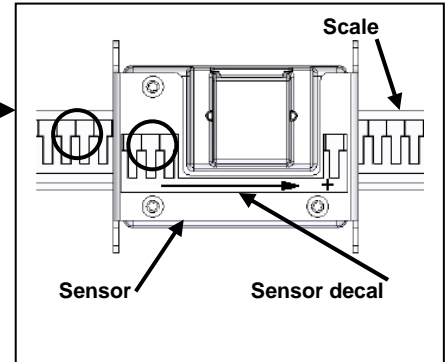
Frozen display

- Remove the battery, wait 30 seconds and replace it.

Loses calibration

- Make sure that your machine is properly grounded.
- Route the cable away from electric motors or other electrical controls.
- Check for dirt on the scale or inside the sensor. Remove and clean if needed.
- Check for static discharges from a nearby dust collector or other source

Note: If a static discharge from your finger zaps the readout or a nearby dust collector happens to zap your machine it can cause this error. Make sure the dust collector is properly grounded and the dust port on your saw is grounded to the ground wire inside the dust collector hose.



Accuracy Issues

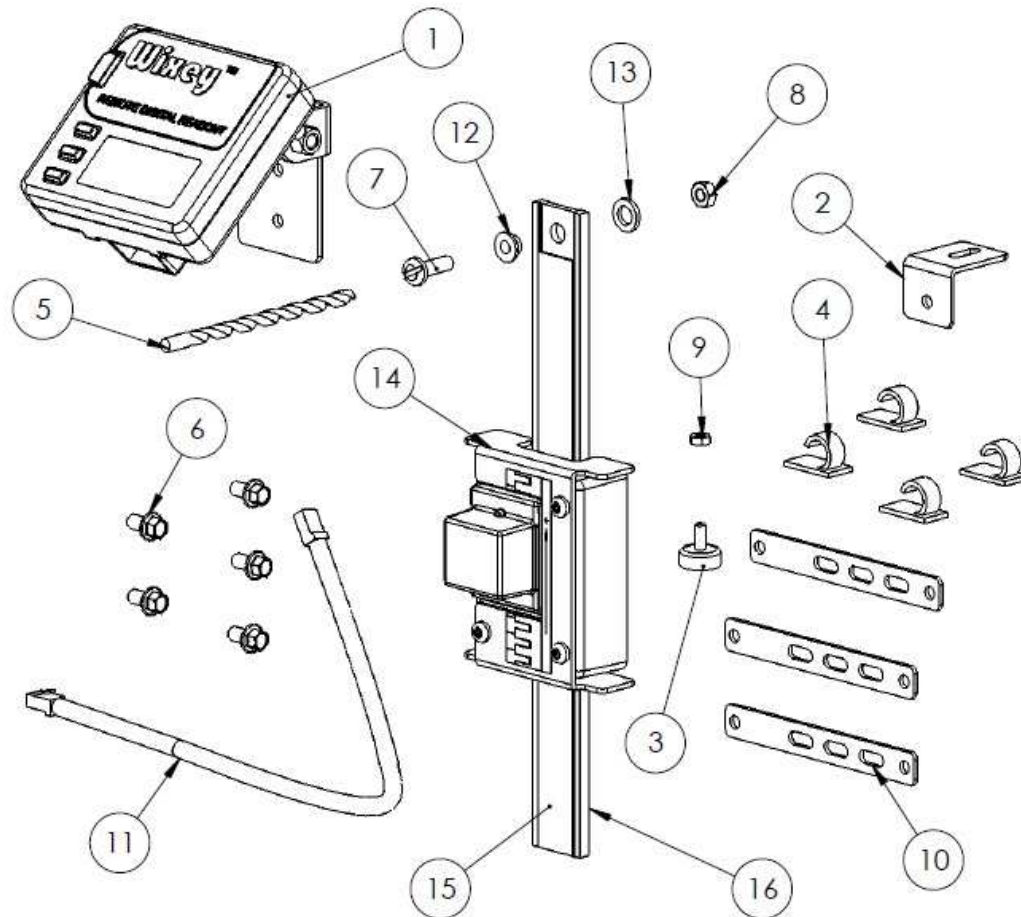
Small accuracy errors of 1/16" or less

- Check for loose or flexing brackets.
- Make sure that the scale is perpendicular to the top plate in all planes.

Large accuracy errors of .200" or more

- An error of exactly .200" is a very common error number with these devices or even a multiple of it like .400, .600, 1.200 etc. Usually this only happens when the readout is either moved very quickly (more than 3 feet per second). Follow the same steps outlined in the "**Loses calibration**" section above.

ITEM NO.	Part No.	Description	QTY.
1	WR5502XP	Display (.001" resolution)	1
2	WR5255	L bracket	1
3	WR5505	Magnet	1
4	WR5525	clip	4
5	WR5523	3.6mm drill bit	1
6	WR5531	M4 X8mm long thread forming screw	5
7	WR5256	M4 x 13mm long pan head screw	1
8	WR5257	M4 hex nut	1
9	WR5519	M3 hex nut	1
10	WR5258	Magnet bracket	3
11	WR5507	Cat 5e sheilded cable 2M long	1
12	WR5259	plastic bushing	1
13	WR5250	plastic washer	1
14	WR5501	Sensor	1
15	WR5253	Sensor strip	1
16	WR5254	scale	1



For questions, comments, spare parts, and application examples go to: www.machine-dro.co.uk