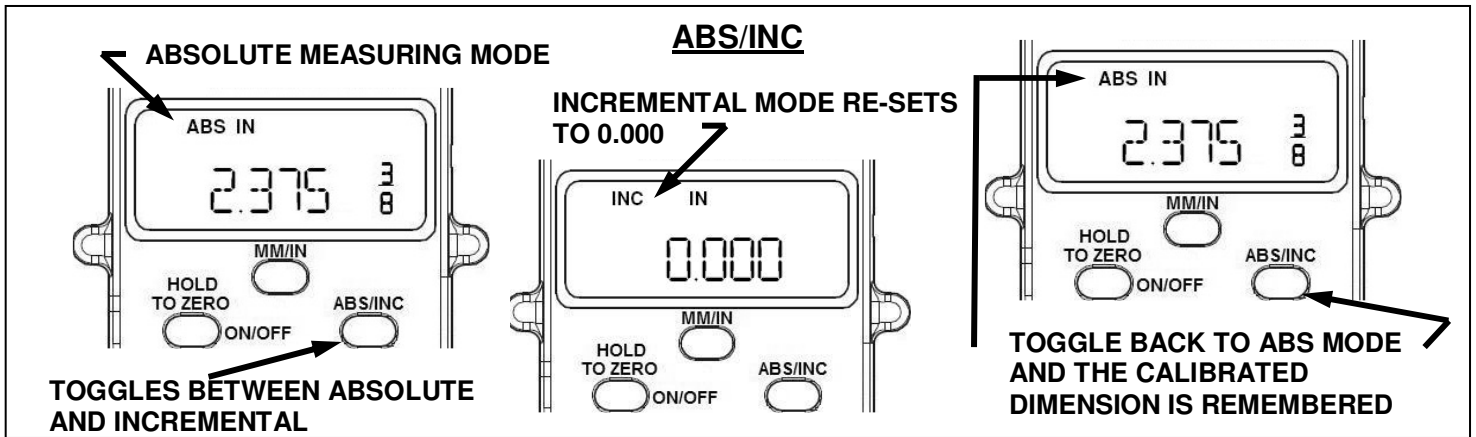
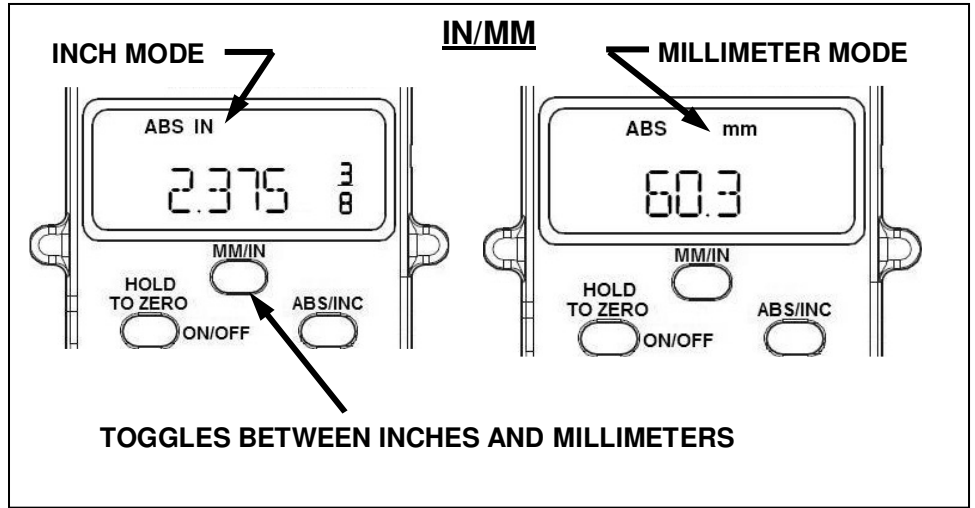
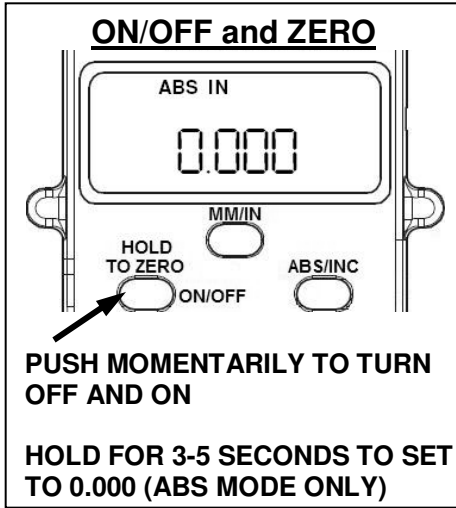


**Instructions**

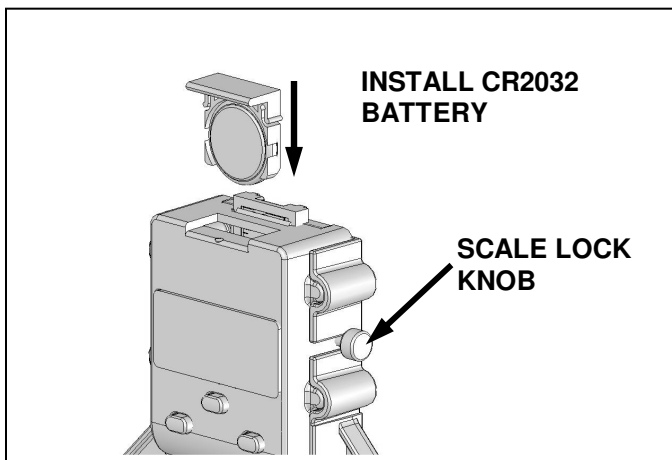
**SAFETY FIRST**

- Always turn off the power and unplug power tools before using any gauge.
- Never use power tools without properly installed blade guards. Guards may not be shown for clarity.

**Readout Operation**



**Battery installation and locking the scale**

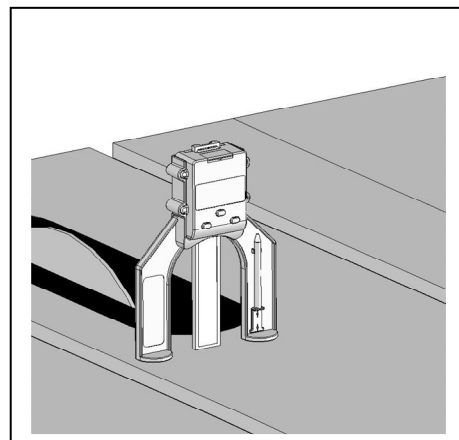
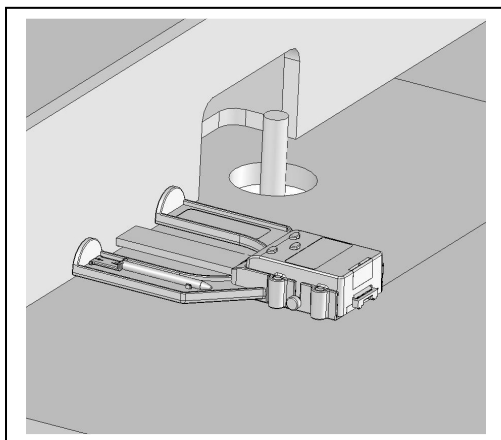
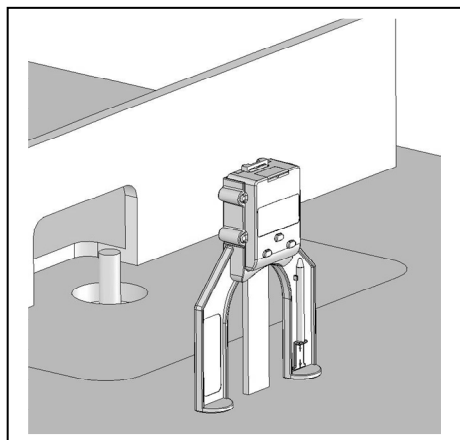


**Trouble Shooting**

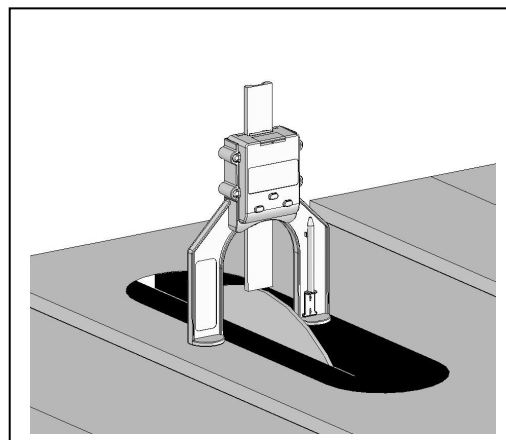
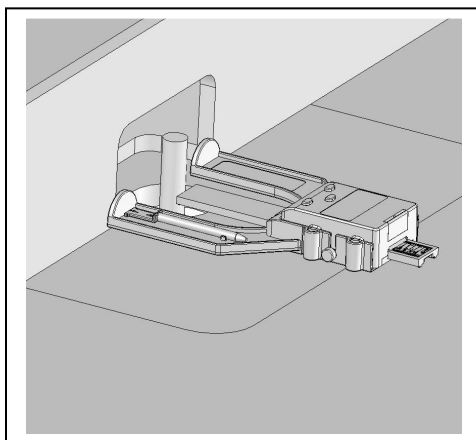
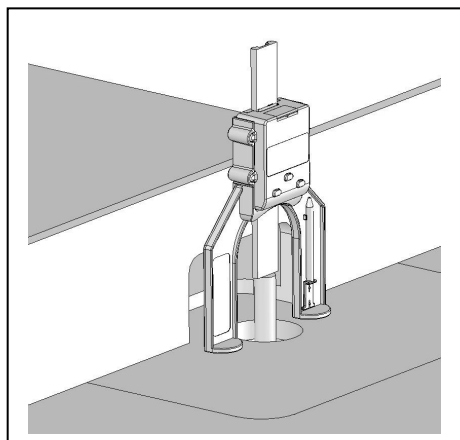
Problem	Possible Cause	Solution
Flashing Digits	Low Voltage	Replace Battery
No Display	Low Voltage	Replace Battery
No Display	Bad Contact	Clean Battery
Erratic or Frozen Display	Internal Error	Remove Battery Wait 1 Minute and Replace

## Using the Gauge

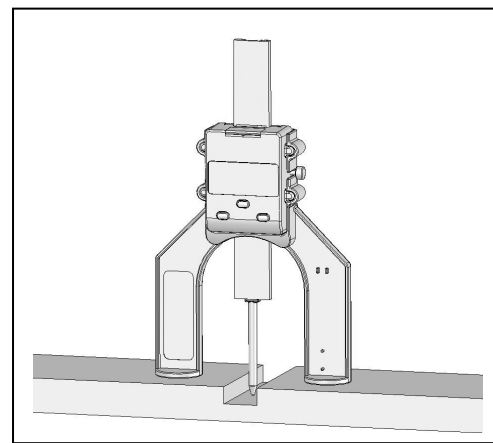
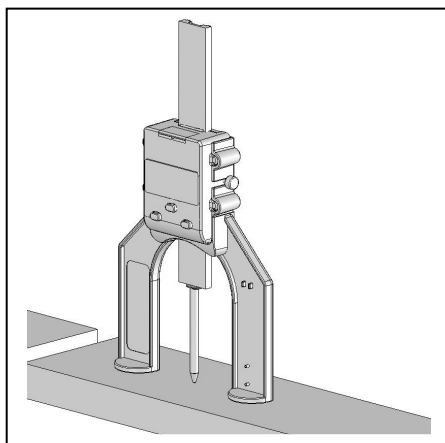
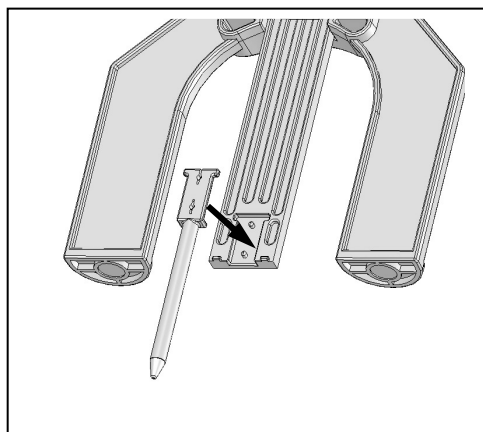
1. Set the base of the Height Gauge on a flat reference surface and lower the scale until it lightly touches the surface. Set the display to 0.000



2. Set your router bit or saw blades to the desired position as shown.



3. Install the plunger and zero the gauge for measuring depths as shown below



For more info on this and other Wixey products visit: [www.machine-dro.co.uk](http://www.machine-dro.co.uk)