



EH-05 Linear Encoder Technical

Part No: DRO-EH-05
Doc V: 1.1

- The M-DRO EH-05 Magnetic encoder suitable for a wide range of machine tool, XY tables, jigs and metrology applications.
- The magnetic tape profile can easily be cut to required installation length.
- A non-contact system with fully sealed encapsulated reading head. Highly resistant to cutting oil and contamination
- Additional mounting hardware is also available for easier install.
- The profile is pre-drilled with mounting holes every 100mm. Additional fixings can also be drilled as required.
- 2 year Warranty.



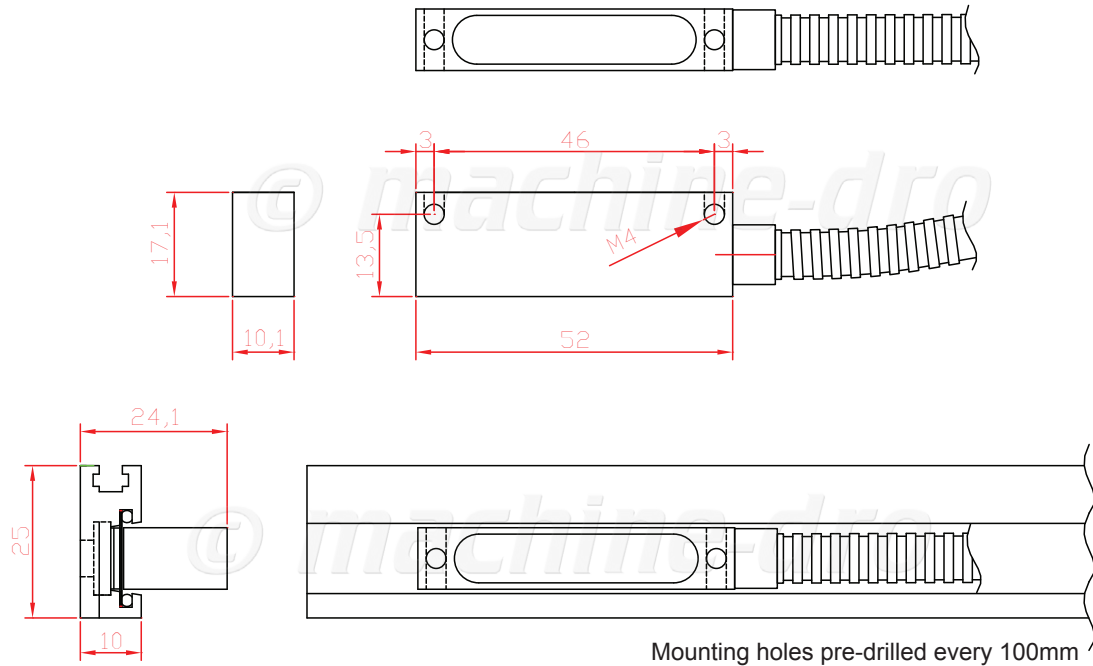
Specifications

Specifications	
Encoder type	Magnetic
Resolution	5 micron (other resolutions also available, please contact us for details)
Accuracy	±0.015mm @20°C
Maximum reading speed	60 metres per minute
Cable length	3 metres stainless steel armour
Scale length requirement	Reading length +50mm
Protection class	IP67
Output Signal	5 volt TTL Quadrature
Reference mark	Separate side mounted magnet (please contact us for details).
Working temperature	0 ~ 65°C
Storage temperature	-20 ~ 70°C





Dimensions

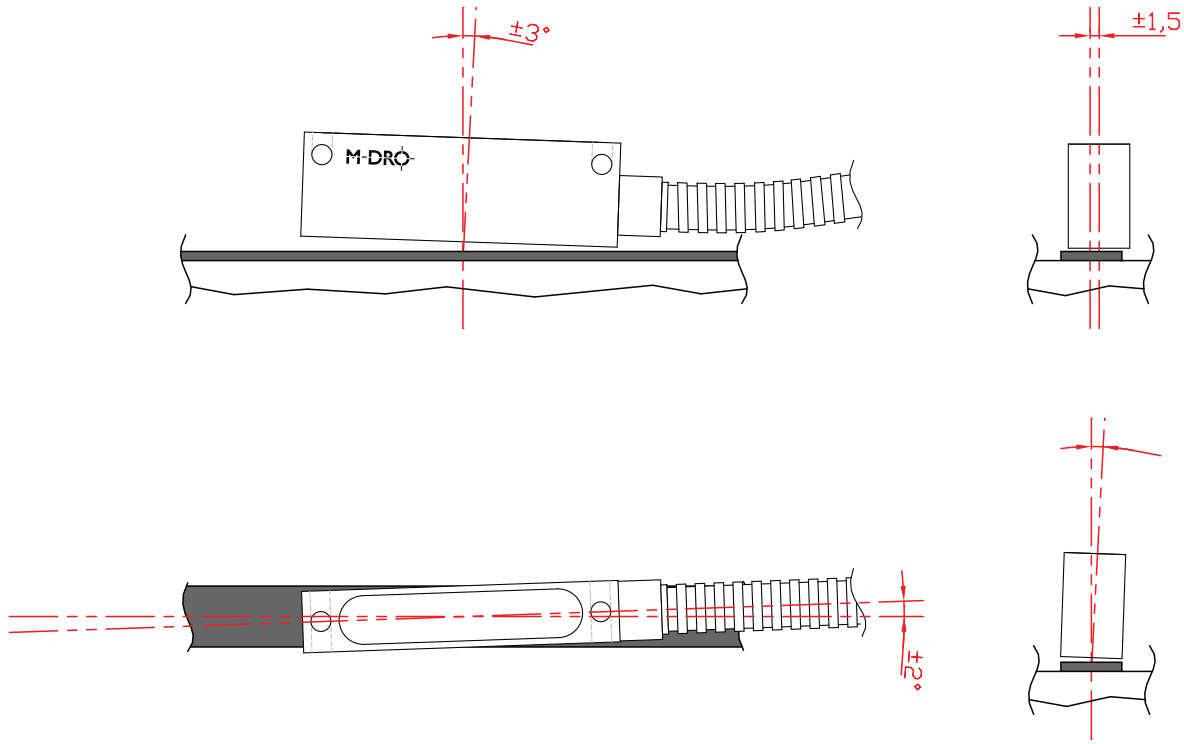


Model Number	Reading Length		Overall Length	
	mm	inch	mm	inch
DRO-EH-05-150	150	6	200	8
DRO-EH-05-250	250	10	300	12
DRO-EH-05-350	350	13 3/4	400	15 3/4
DRO-EH-05-450	450	17 3/4	500	19 3/4
DRO-EH-05-550	550	21 3/4	600	23 1/2
DRO-EH-05-650	650	25 1/2	700	27 1/2
DRO-EH-05-750	750	29 1/2	800	31 1/2
DRO-EH-05-850	850	33	900	35 1/2
DRO-EH-05-950	950	37 1/2	1000	39 1/2
DRO-EH-05-1050	1050	41 1/2	1100	43 1/4
DRO-EH-05-1150	1150	45 1/4	1200	47 1/4
DRO-EH-05-1250	1250	49 1/4	1300	51 1/4
DRO-EH-05-1350	1350	53 1/4	1400	55 1/4
DRO-EH-05-1450	1450	57	1500	59

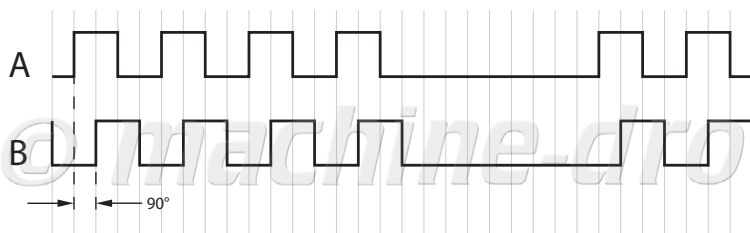
Longer lengths available please contact us for details.



Mounting Tolerances



Output Signal



- Fitted with 9 pin male D type connector for encoder input.
- For encoder compatibility please check compatibility chart data sheet.

	Pin 1	Pin 2	Pin 3	Pin 4	Pin 5	Pin 6	Pin 7	Pin 8	Pin 9
Signal	N/C	0v	N/C	Screen	N/C	A	+5v	B	Z

